

# Point GUARD

## XTREME

### Door Interface Controller (DIF)

The DIF manages a single door/portal. (For two doors/portals use the Dual Door Interface Controller). The DIF communicates with the SSP over a high-speed RS-485 communication bus that may be extended to 4000 feet. The SSP offers powerful input/output linking capabilities allowing Door Interface events to operate local or remote relay outputs or initiate command strings.

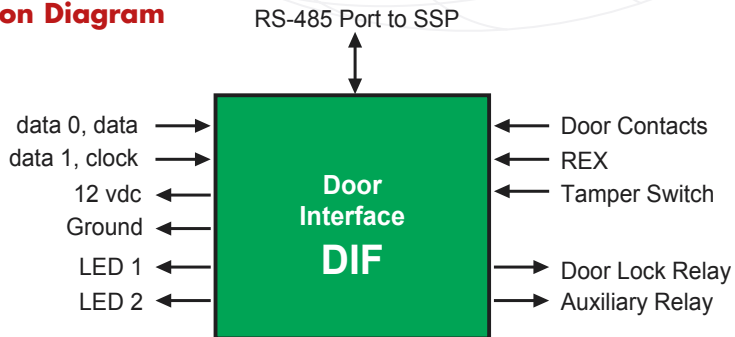
The DIF provides lock, unlock or facility code offline access modes upon loss of communications with the SSP. It supports up to eight different card formats as well as issue codes for both magnetic and Wiegand card formats.



#### DIF FEATURES

- 1 door interface
- Onboard 12VDC reader power
- 8 card formats
- Issue code support
- 2 supervised inputs (door, REX)
- 1 unsupervised inputs (tamper)
- 2 Form C relay control outputs
- Input/output event linking via SSP
- RS-485 communications with SSP

#### Connection Diagram



The Door Interface Controller (DIF) operating with a PointGuard X Security System Processor (SSP) provides door control, alarm monitoring and output control capabilities to PointGuard X Software packages.

#### DIF Technical Specifications

##### ELECTRICAL

Power	12 Volts DC $\pm 15\%$ , 255mA,
	12 Volts, AC $\pm 15\%$ , 500mA

##### DIMENSIONS

Width	2.9 in. (74 mm)
Length	3.25 in. (83 mm)
Height	1.4 in. (36 mm)

##### ENVIRONMENT

Temperature	32°F-158°F, (0°C-70°C),
	Humidity 10%-95% (non-condensing)

##### COMMUNICATIONS

Protocol	RS-485, 2-wire or 4-wire
Distance	4,000 feet (1200 m)
Media Type	Twisted Pair (Belden 9841 cable)

##### FIELD TERMINATIONS

Removable screw-type terminal blocks
--------------------------------------

##### READERS

Quantity	1
Reader Inputs	Wiegand (data 0/data 1), Magnetic Stripe (TTL clock/data)
Card Formats	Standard and Custom
LED Support	2 two-wire or one-wire bi-color
Buzzer Support	2 only with one-wire bi-color
Keypad Support	integrated on reader data lines
Supplied Power	+12 VDC @ 40mA total

##### INPUTS

Supervised Contacts	1 Door Position, 1 Request to Exit
Unsupervised Contacts	1 Cabinet tamper

##### OUTPUTS

Form-C Contacts	1 Door Lock, 5 Amps@30VDC, 1 Auxiliary, 1 Amp@30VDC
-----------------	--