



UDC Hardware Specifications*

The UDC is designed for unified access control and intrusion detection applications. The UDC is the industry's first Power over Ethernet (PoE) IP-based digital controller. Powered by Monitor Dynamics' BlueEdge Technology, the UDC delivers simple plug-and-play installation utilizing PoE power and reducing overall installation cost and configuration time. The UDC empowers organizations with the processing capacity required for the largest enterprise-wide access and intrusion applications. The UDC is a dual-port Ethernet IP panel that transmits entry and exit data via high speed communications. Utilizing a Linux-based processor for stability, the UDC communicates to the head-end with complete fail-over, at rates exponentially faster than standard serial based communications.

As a scalable hardware device located at the edge of the network, the UDC comes with three downstream RS-485 communication ports that can be used to connect various combinations of field hardware, including additional UDC panels (up to 31 devices). As an enterprise-grade controller, the UDC scales to support 250,000 cardholders and 50,000 events - standard.

Extreme Affordability and Unlimited Scalability

Primary Panel Features:

- POE (Power over Ethernet) Compatibility
- Dual Path Ethernet Communication (2 Network IP Addresses/MAC Addresses)
- Web Based Setup and Configuration (Local and Remote Diagnostics)
- Flash Updatable Firmware
- 2 x 256 MB Flash Memory (512 MB)
- Dual (2) Reader Interface
- Reader Inputs: Wiegand, Magnetic and Smart Card Readers (up to 256 Bits)
- 250/800 MHz ARM Processor with 64 MB External Memory Expandable to 800 MHz ARM Processor with 256 MB of External Memory
- 4GB-16GB SD Flash Memory
- Option for Audio/Video via USB
- CES 128 Bit Encryption to the host (Optional 256 Bit Available)
- Supports up to 250,000 Card Holders**
- Supports up to 50,000 Events in Buffer**
- IPV4 Compatible, IPV6 Capable
- Unlimited Privileges and User Profiles
- Support for Unlimited Areas (Timed, Hard, Soft & Global)
- Support for 60+ Doors
- Unlimited Holidays, Shifts and Time Zones

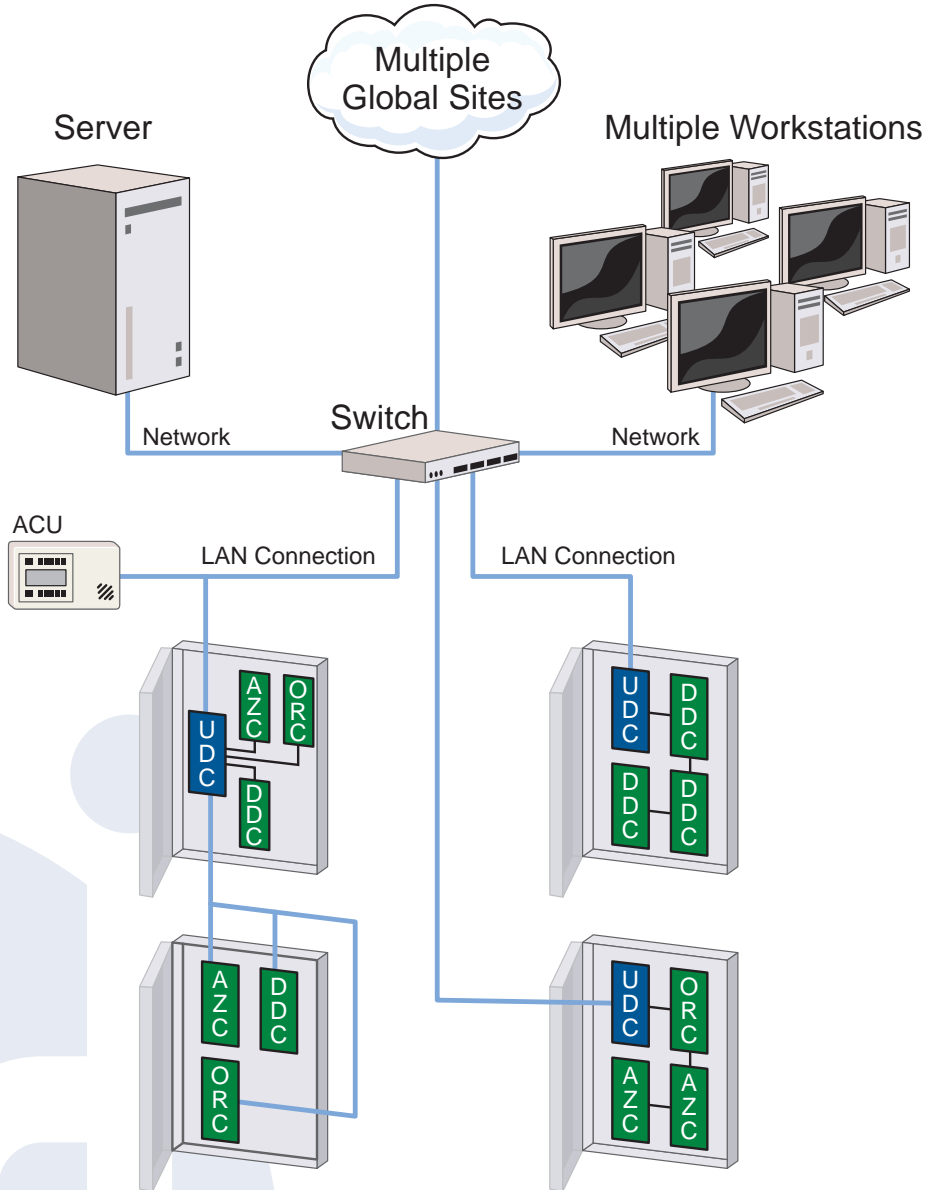


* Specifications are subject to change without notice.

** The number of cardholders and events can be increased exponentially and is limited only by processor speed and size of SD Memory Card.

BlueEdge Unified Digital Controller (UDC)

- Low cost and easy installation
- Full-featured and expandable as needed
- Intelligence at the edge of the network
- Remote internet configuration capability
- Lower overall price and total cost of ownership
- Seamless scalability to enterprise global command and control
- Works with all prior hardware lines on the SAFEnet platform
- Communicates via TCP/IP network to the command center
- Operates with or without host computer connectivity (stand alone)



- Less hardware
- Minimal terminations
- Less wiring (CAT-5 based)
- Easy to add new doors
- Full stand-alone intelligence
- IP-PoE

www.monitordynamics.com